

FD-LOK[®]

Proportional Relief Valve

R1 Series



SS-R1-S4-4



SS-R1-M8-F8-6-M

Introduction

Valves open when system pressure reaches the set pressure. Then the medium flows out to release system pressure. Valves close when the system pressure is lower than the set pressure.

The opening height and the system pressure are directly proportional. However, there is no limit for relieving capacity. So valves in this series should be selected carefully according to system requirements.

Features

- ◎ Set pressures: 50 to 6000 psig @ 70°F (0.34 to 41.4 Mpa @ 21 °C)
- ◎ Maximum outlet pressures: 1500 psig (103 bar)
- ◎ Working temperatures: -10°F to 300°F (-23°C to 148°C)
- ◎ Many options for various end connections
- ◎ Liquid or gas service
- ◎ Adjustable bonnet cap, and adjustable set pressure
- ◎ Balance stem design to eliminate the effect of system back pressure
- ◎ 7 color-coded springs available for a wide range of set pressure
- ◎ Lock wired secure cap to maintain set pressure
- ◎ Many options for various seal materials
- ◎ Label identifies the set pressure range
- ◎ Manual override handle available to open the valve without changing the set pressure when lower than 1500 psig

Temperature Range of Sealing Materials

Fluorocarbon Rubber

-15°F ~ 400°F (-26°C ~ 204°C)

Buna-N Rubber

-30°F ~ 275°F (-34°C ~ 135°C)

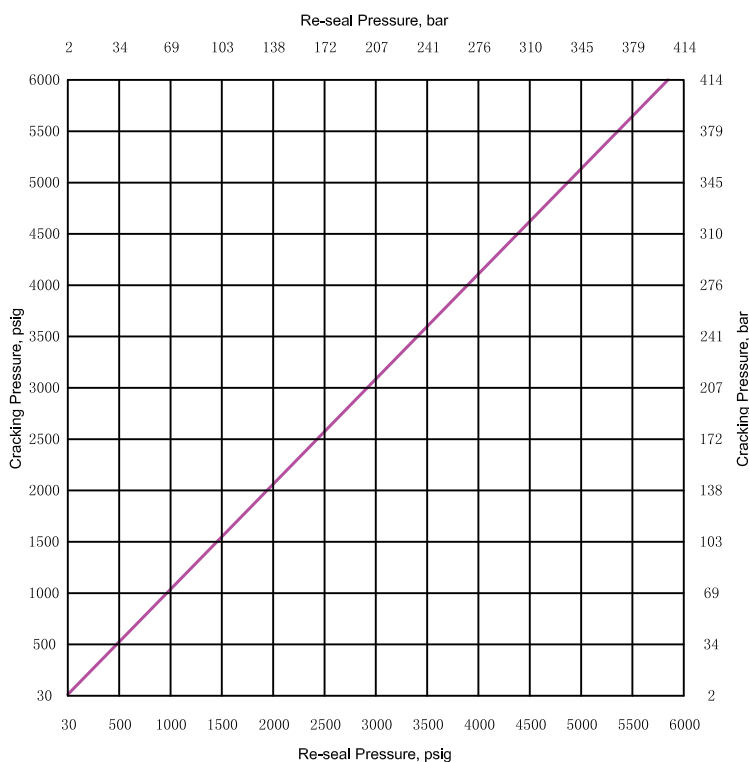
Neoprene Rubber

-45°F ~ 250°F (-43°C ~ 121°C)

Ethylene Propylene Rubber

-70°F ~ 275°F (-56°C ~ 135°C)

Cracking Pressure and Resealing Pressure

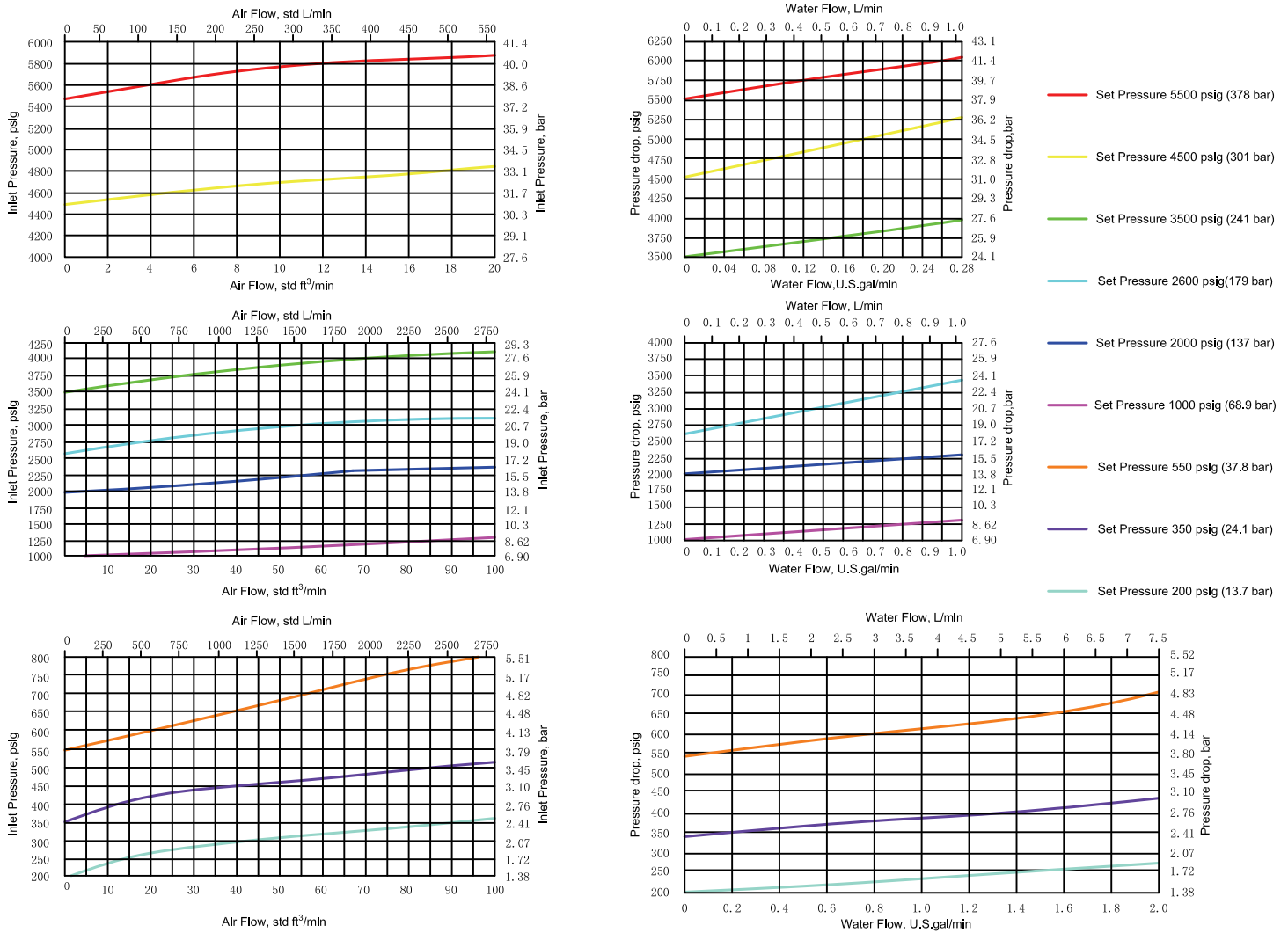


Cracking pressure: The pressure at which the first indication of flow occurs. The repeatability of the cracking pressure of each valve after initial relief is within $\pm 5\%$ at room temperature.

Resealing pressure: The pressure at which there is no indication of flow. Resealing pressure is always lower than set pressure.

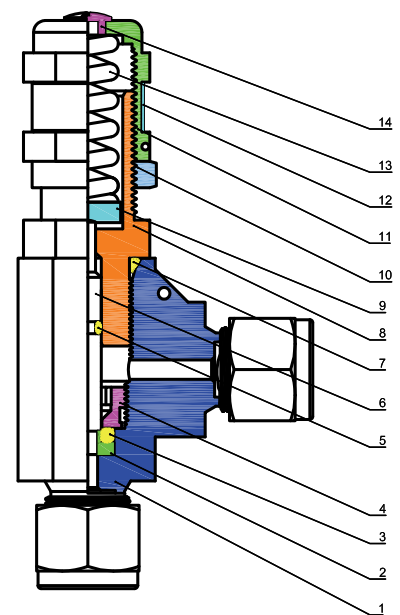
Back pressure: The pressure of the outlet of the valve. It increases the set pressure.

Flow Data @ 70°F(20°C)



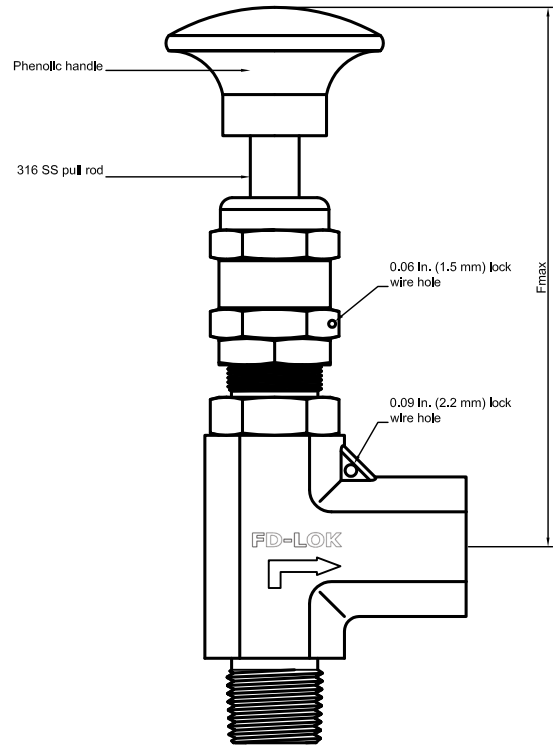
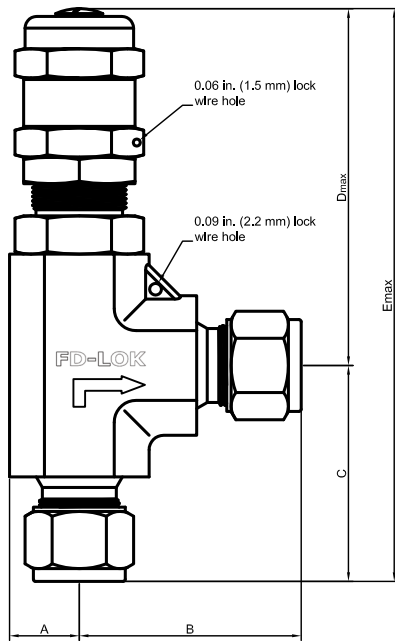
Material of Construction

Component		Material Grade/ASTM Specification
1	Body	316 SS/A182
2	Insert	316 SS/A479
3	O-ring	Fluorocarbon FKM
4	Seat retainer	316 SS/A479
5	o-ring	Fluorocarbon FKM
6	Stem	316 SS/A479
7	o-ring	Fluorocarbon FKM
8	Bonnet	316 SS/A479
9	Spring support	316 SS/A276
10	Lock nut	17-4PH powered metal
11	Bonnet cap	316 SS/A479
12	Label	Polyester
13	Spring	S17700 SS/AMS 5678
14	Cap	316 SS/A276



*Lubricant: Molybdenum disulfide-based dry film and paste, silicone-based.
 *Consult the factory for bill of material for other body materials.

Dimensions



Basic Ordering Number	End Connections		Orifice in. (mm)	Dimensions in. (mm)					
	Inlet Size	Outlet Size		A	B	C	Dmax	Emax	Fmax
-R1-S4-4-	1/4" FD-LOK	1/4" FD-LOK	0.14 (3.6)	0.43 (10.9)	1.60 (40.6)	1.44 (36.6)	2.70 (68.6)	4.14 (105)	4.09 (104)
-R1-S6-4-	3/8" FD-LOK	3/8" FD-LOK	0.14 (3.6)	0.43 (10.9)	1.60 (40.6)	1.44 (36.6)	2.70 (68.6)	4.14 (105)	4.09 (104)
-R1-S8-4-	1/2" FD-LOK	1/2" FD-LOK	0.14 (3.6)	0.50 (12.7)	1.72 (43.7)	1.72 (43.7)	4.09 (104)	5.81 (148)	5.37 (136)
-R1-S8-6-	1/2" FD-LOK	1/2" FD-LOK	0.25 (6.4)	0.50 (12.7)	1.72 (43.7)	1.72 (43.7)	4.09 (104)	5.81 (148)	5.37 (136)
-R1-SM6-4-	6 mm FD-LOK	6 mm FD-LOK	0.14 (3.6)	0.43 (10.9)	1.60 (40.6)	1.44 (36.6)	2.70 (68.6)	4.14 (105)	4.09 (104)
-R1-SM8-4-	8 mm FD-LOK	8 mm FD-LOK	0.14 (3.6)	0.43 (10.9)	1.60 (40.6)	1.44 (36.6)	2.70 (68.6)	4.14 (105)	4.09 (104)
-R1-SM12-4-	12 mm FD-LOK	12 mm FD-LOK	0.14 (3.6)	0.50 (12.7)	1.83 (46.5)	1.83 (46.5)	4.09 (104)	5.92 (150)	5.37 (136)
-R1-SM12-6-	12 mm FD-LOK	12 mm FD-LOK	0.25 (6.4)	0.50 (12.7)	1.83 (46.5)	1.83 (46.5)	4.09 (104)	5.92 (150)	5.37 (136)
-R1-F4-4-	1/4" Female NPT	1/4" Female NPT	0.14 (3.6)	0.43 (10.9)	1.38 (34.9)	1.38 (34.9)	2.70 (68.6)	4.08 (103.5)	4.28 (108.7)
-R1-F8-4-	1/2" Female NPT	1/2" Female NPT	0.14 (3.6)	0.50 (12.7)	1.43 (36.3)	1.43 (36.3)	4.09 (104)	5.52 (140)	5.37 (136)
-R1-F8-6-	1/2" Female NPT	1/2" Female NPT	0.25 (6.4)	0.50 (12.7)	1.43 (36.3)	1.43 (36.3)	4.09 (104)	5.52 (140)	5.37 (136)
-R1-M4-4-	1/4" Male NPT	1/4" Male NPT	0.14 (3.6)	0.43 (10.9)	1.17 (29.7)	1.19 (30.2)	2.70 (68.6)	3.89 (98.8)	4.09 (104)
-R1-M8-4-	1/2" Male NPT	1/2" Male NPT	0.14 (3.6)	0.50 (12.7)	1.43 (36.3)	1.43 (36.3)	4.09 (104)	5.52 (140)	5.37 (136)
-R1-M8-6-	1/2" Male NPT	1/2" Male NPT	0.25 (6.4)	0.50 (12.7)	1.43 (36.3)	1.43 (36.3)	4.09 (104)	5.52 (140)	5.37 (136)
-R1-FR4-4-	1/4" Female BSPT	1/4" Female BSPT	0.14 (3.6)	0.43 (10.9)	1.17 (29.7)	1.19 (30.2)	2.70 (68.6)	3.89 (98.8)	4.09 (104)
-R1-FR8-4-	3/8" Female BSPT	3/8" Female BSPT	0.14 (3.6)	0.50 (12.7)	1.43 (36.3)	1.43 (36.3)	4.09 (104)	5.52 (140)	5.37 (136)
-R1-FR8-6-	1/2" Female BSPT	1/2" Female BSPT	0.25 (6.4)	0.50 (12.7)	1.43 (36.3)	1.43 (36.3)	4.09 (104)	5.52 (140)	5.37 (136)

Remarks:

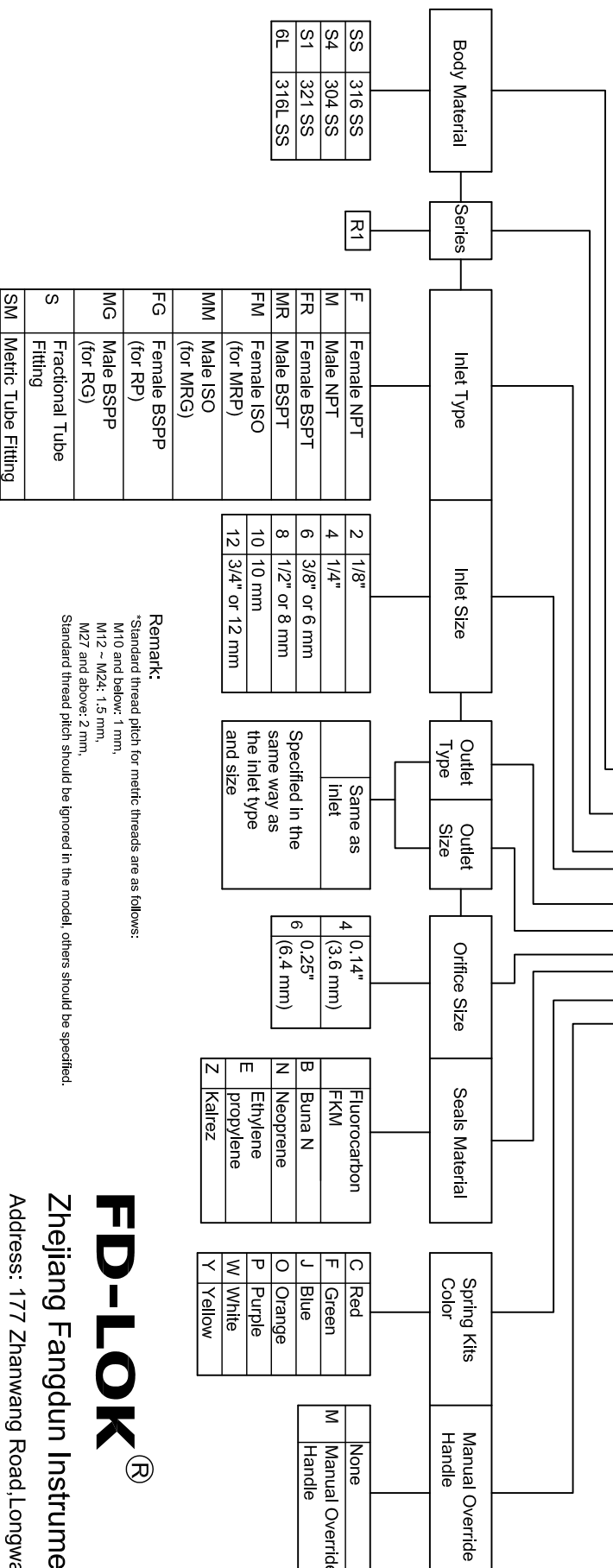
- FD-LOK means FD-LOK double ferrule tube fittings.
- Dimensions shown with FD-LOK nuts finger-tight. All dimensions are for reference only, subject to change. For dimensions not shown above, consult the factory please.
- The sizes and types listed are standard. Other sizes and types are available upon request.

Spring Kits

Spring Designator	Spring Color	Set Pressure Rang psig (bar)	Remark
F	Green	50~300 (3.4~20.7)	
O	Orange	300~700 (20.7~48.3)	For 0.14 in. and 0.25 in. orifice size
Y	Yellow	700~1500 (48.3~103)	
P	Purple	1500~2500 (103~172)	
W	White	2500~3500 (172~241)	
J	Blue	3500~4500 (241~310)	For 0.14 in. orifice size only
C	Red	4500~6000 (310~414)	

Ordering Information

SS-R1-S4-SM8-4Z-WM



Remark:

*Standard thread pitch for metric threads are as follows:
M10 and below: 1 mm,
M12 - M24: 1.5 mm,
M27 and above: 2 mm,
Standard thread pitch should be ignored in the model, others should be specified.

FD-LOK®

Zhejiang Fangdun Instrument Valve Co., Ltd

Address: 177 Zhanwang Road, Longwan Industry Center,

Wenzhou, Zhejiang, China 325024

Tel: +86-577-86928952 56906686 86927952

Fax: +86-577-85989788 56906685

E-mail: fangdun@fd-lok.com

WWW.FD-LOK.COM