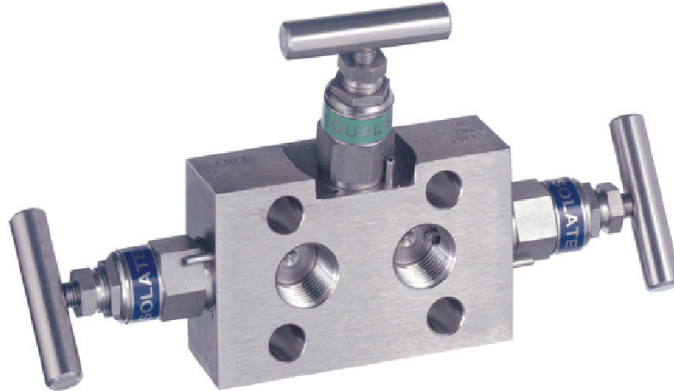


FD-LOK[®]

Instrument Manifolds Gauge Valves

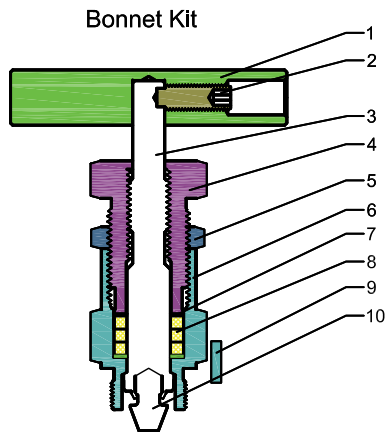


SS-3D-F8-A

Features

- Pressure up to 6000 psig(414 bar) for standard stainless steel body
- Temperature for PTFE packing from -65°F to 450°F (-54 °C to 232°C)
Temperature for Grafoil packing from -65°F to 1200°F (-54 °C to 649°C)
- Packing below stem thread isolates the thread lubricant from the media
- Back seating design protects the packing in fully open position
- Non-rotating stem tip
- 100% factory tested
- Orifice:0.157"(4.0mm), CV:0.35

Technical Data



Materials of Construction

Item	Part	Material
1	Handle	Stainless steel
2	Set Screw	Nickel cadmium-plated steel
3	Stem	316 SS/A276
4	Gland	316 SS/A276
5	Lock Nut	316 SS/B783
6	Bonnet	316 SS/A479
7	Packing washer	316 SS/A276
8	Packing	PTFE(Grafoil)
9	Lock Pin	304 SS/A276
10	Stem Tip	316 SS/A276

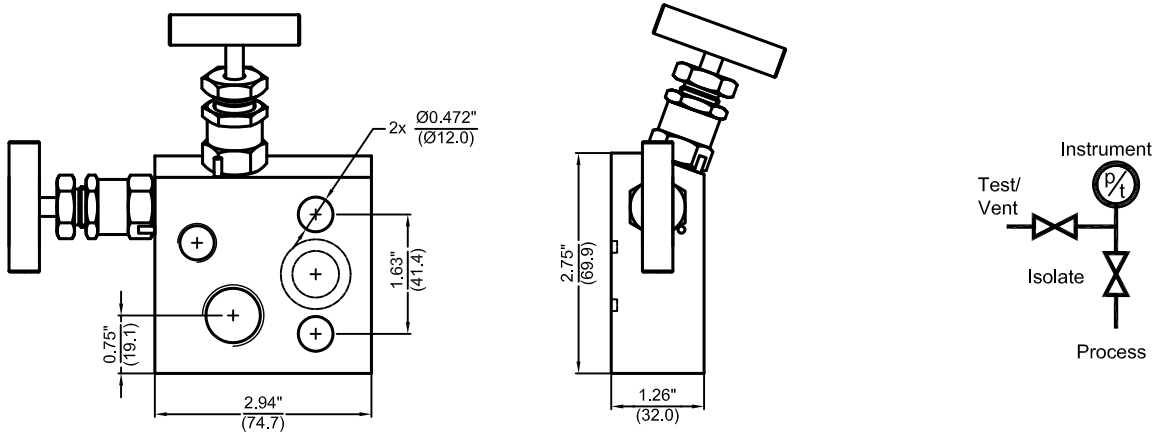
Temperature		Valve body material	
		316 SS	Carbon Steel
°F	°C	Working pressure, psig (bar)	
-65~-20	-53~-28	6000(414)	—
-20~100	-28~37	6000(414)	3000(207)
200	93	5160(356)	2730(188)
250	121	4910(338)	2695(185)
300	148	4660(321)	2660(183)
350	176	4470(307)	2615(180)
400	204	4280(295)	
450	232	4130(285)	
500	260	3980(274)	
600	315	3760(259)	
650	343	3690(254)	
700	371	3600(248)	
750	399	3510(242)	
800	426	3460(238)	
850	454	3380(232)	
900	482	3280(225)	
950	510	3220(221)	
1000	538	3030(208)	
1050	566	3000(207)	
1100	593	2685(184)	
1150	621	2285(157)	
1200	649	1715(118)	

Two-Valve Manifolds

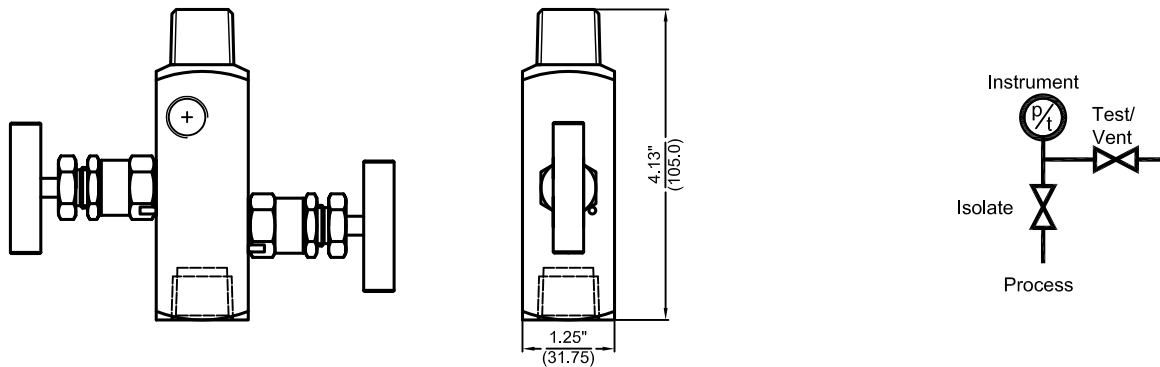
Features

© Two valves in one block for isolation, calibration, test and bleeding of instruments.

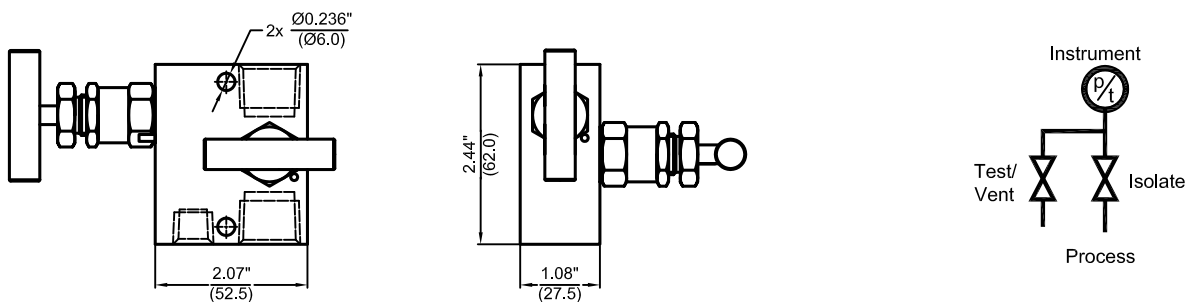
Basic Model Number	Inlet/process	Outlet/instrument	Test/vent
-2D-F8-A	1/2" Female NPT	Flange(MSS)	1/4" Female NPT
Flange Seal and Bolt Kit: PTFE(or Grafoil) sealing rings + 7/16-20UNF Bolts			



Basic Model Number	Inlet/process	Outlet/instrument	Test/vent
-2D-F8-M8-L	1/2" Female NPT	1/2" Male NPT	1/4" Female NPT



Basic Model Number	Inlet/process	Outlet/instrument	Test/vent
-2R-F8-V	1/2" Female NPT	1/2" Female NPT	1/4" Female NPT

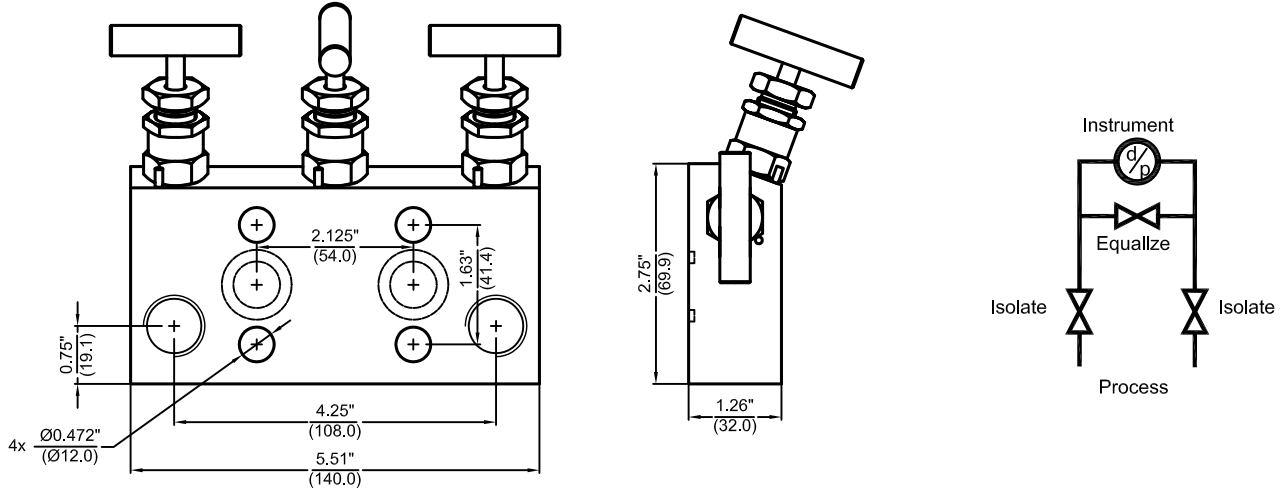


Three-Valve Manifolds

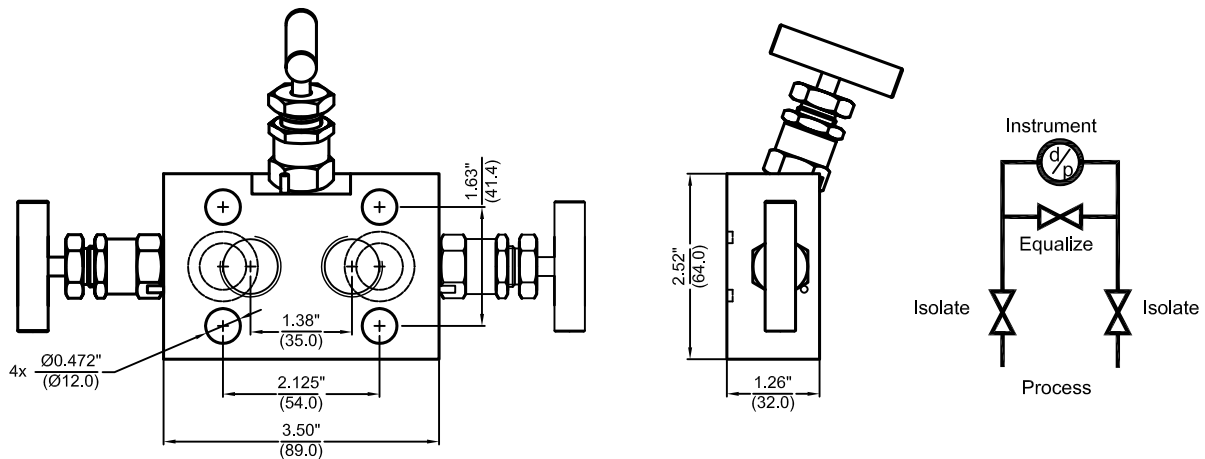
Features

© Three valves in one block for isolation, equalization, bleeding of instruments.

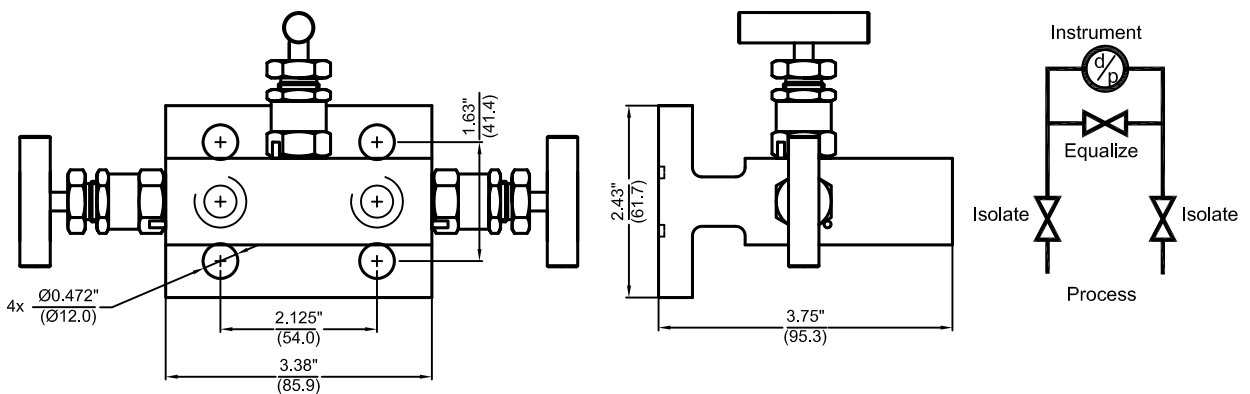
Basic Model Number	Inlet/process	Outlet/instrument	Test/vent
-3D-F8-L	1/2" Female NPT	Flange(MSS)	Optional
Flange Seal and Bolt Kit: PTFE(or Grafoil) sealing rings + 7/16-20UNF Bolts			



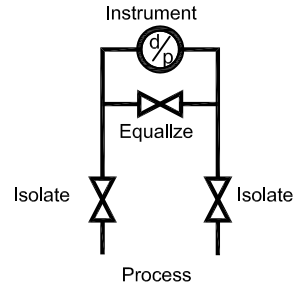
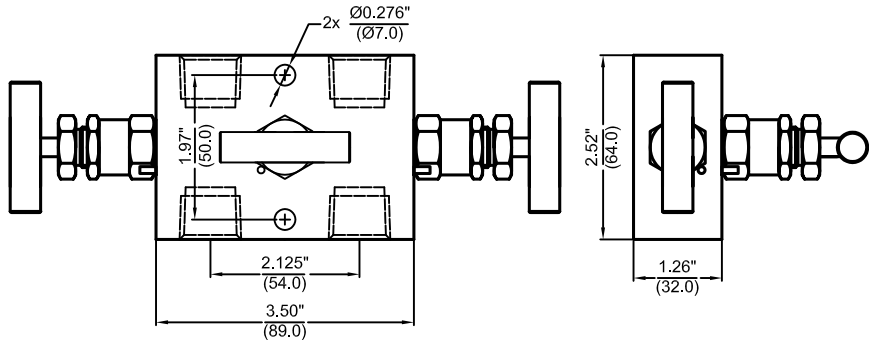
Basic Model Number	Inlet/process	Outlet/instrument	Test/vent
-3D-F8-A	1/2" Female NPT	Flange(MSS)	Optional
Flange Seal and Bolt Kit: PTFE(or Grafoil) sealing rings + 7/16-20UNF Bolts			



Basic Model Number	Inlet/process	Outlet/instrument	Test/vent
-3D-F8-V	1/2" Female NPT	Flange(MSS)	Optional
Flange Seal and Bolt Kit: PTFE(or Grafoil) sealing rings + 7/16-20UNF Bolts			



Basic Model Number	Inlet/process	Outlet/instrument	Test/vent
-3R-F8-V	1/2" Female NPT	1/2" Female NPT	Optional

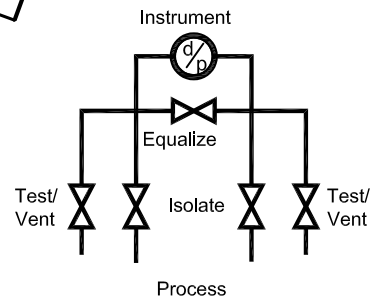
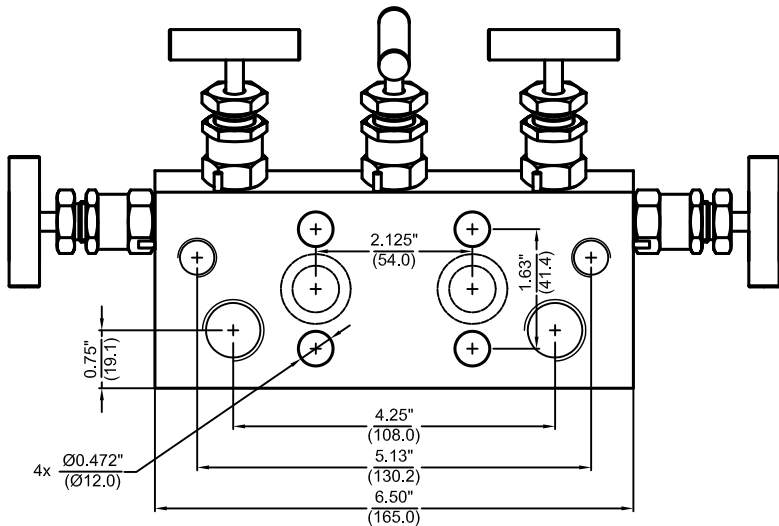


Five-Valve Manifolds

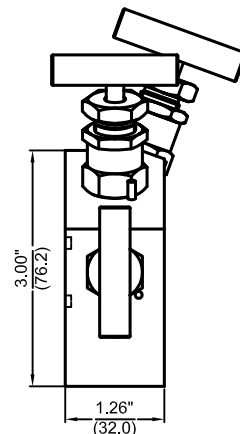
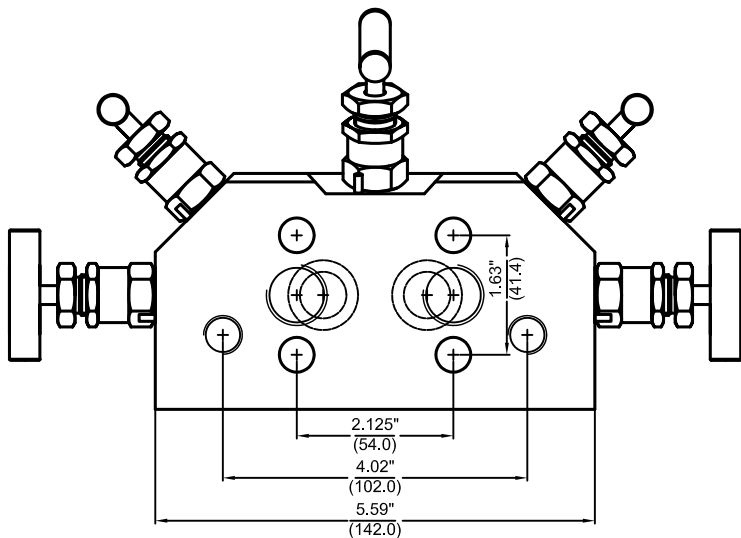
Features

© Five valves in one block for isolation, equalization, testing and venting of instruments

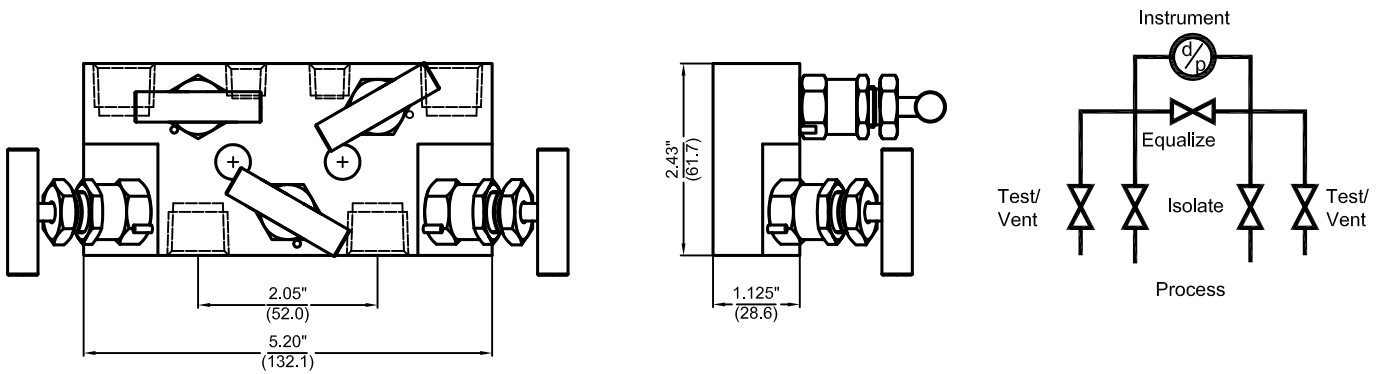
Basic Model Number	Inlet/process	Outlet/instrument	Test/vent
-5D-F8-L	1/2" Female NPT	Flange(MSS)	1/4" Female NPT
Flange Seal and Bolt Kit: PTFE(or Grafoil) sealing rings + 7/16-20UNF Bolts			



Basic Model Number	Inlet/process	Outlet/instrument	Test/vent
-5D-F8-A	1/2" Female NPT	Flange(MSS)	1/4" Female NPT
Flange Seal and Bolt Kit: PTFE(or Grafoil) sealing rings + 7/16-20UNF Bolts			



Basic Model Number	Inlet/process	Outlet/instrument	Test/vent
-5R-F8-A	1/2" Female NPT	1/2" Female NPT	1/4" Female NPT

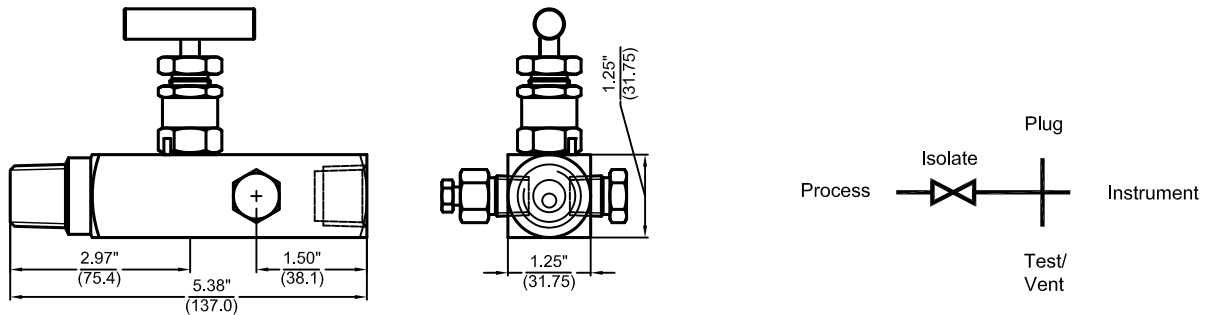


Gauge Valves(Block-and-Bleed Manifolds)

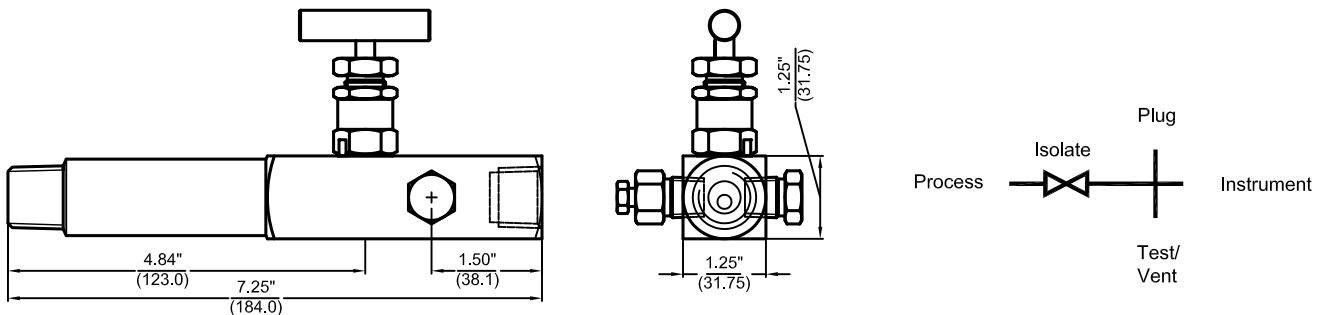
Features

© A valve with 3 outlets in one block for isolation, bleeding of instruments.

Basic Model Number	Inlet/process	Outlet/instrument	Test/vent
-GV-M8-F8	1/2" Male NPT	1/2" Female NPT	1/2" Female NPT

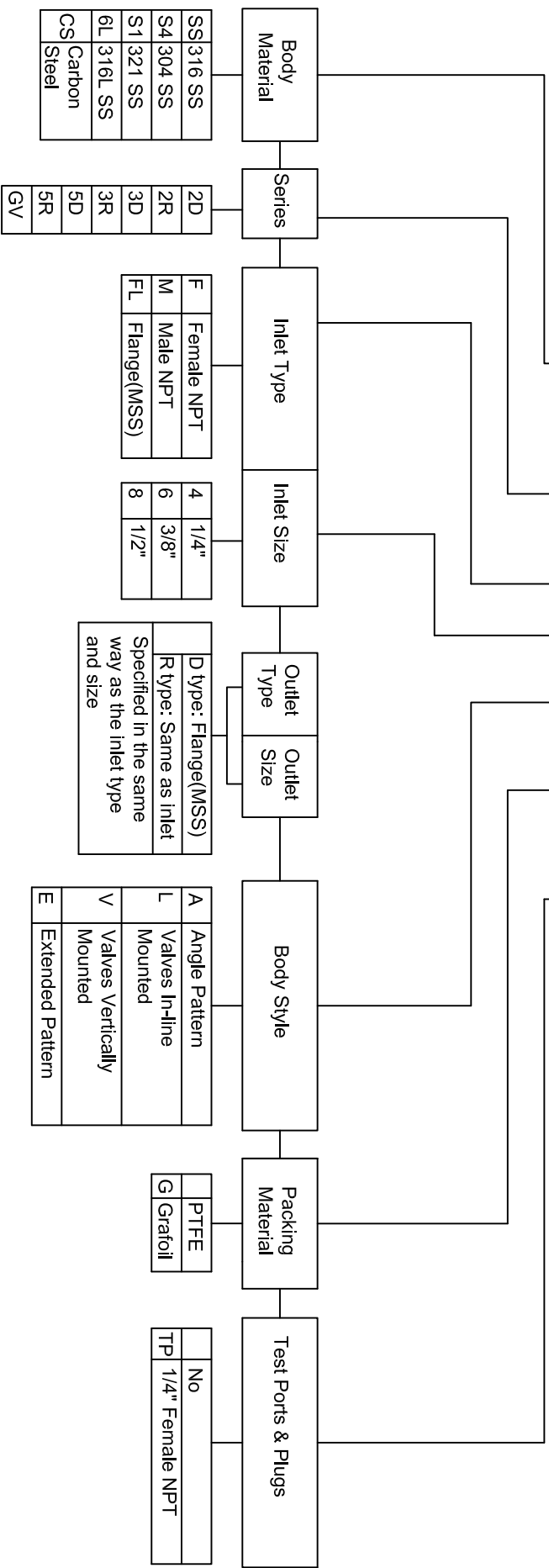


Basic Model Number	Inlet/process	Outlet/instrument	Test/vent
-GV-M8-F8-E	1/2" Male NPT	1/2" Female NPT	1/2" Female NPT



Ordering Information

SS-3D-F8-A-G-TP



Remark:
 © The standard material of bolts is carbon steel

F[®]D-LOK

Zhejiang Fangdun Instrument Valve Co.,Ltd

Address: 177 Zhanwang Road,Longwan Industry Center,

Wenzhou,Zhejiang,China 325024

Tel: +86-577-86928952 56906686 86927952

Fax: +86-577-85989788 56906685

E-mail: fangdun@fd-lok.com

WWW.FD-LOK.COM